

CPCI-CPU/AddOn Graphics/USB/CF-Card Adapter

- DVI graphics and LC-display interface
- 1+3 USB interfaces
- 2x RS-232 interface
- CompactFlash Card interface

CompactPCI CPU Adapter Board

The CPCI-CPU/AddOn is an adapter board designed for CPCI-CPU's (e.g. CPCI-CPU/750). It can be ordered in combination with the CPCI-CPU board and an according 8 U front panel. The CPCI-CPU/AddOn is equipped with a SM501 Mobile Multimedia Companion Chip with graphics, USB and serial interfaces.

Graphics Interfaces

The adapter supports CRT or TFT displays with a resolution from VGA to SXGA (16/32 bit color) accessible via a DVI-connector at the front panel. Additionally LCD-displays with resolutions from 320x240 to 1024x768 (16/32 bit) or 1280x1024 (16 bit only) are supported. The data lines of the LC-Display has to be connected via a post connector. For direct power supply connection of the display a Dubox connector is placed on-board.

USB Interfaces

The main USB interface is accessible via an USB type A connector at the front panel. With a local USB hub three additional interfaces are available at 5-pole Dubox connectors.

Serial Interfaces

The two serial interfaces are equipped with RS-232 drivers. One interface is accessible at the front panel via a RJ12 connector. The other one has a post connector.

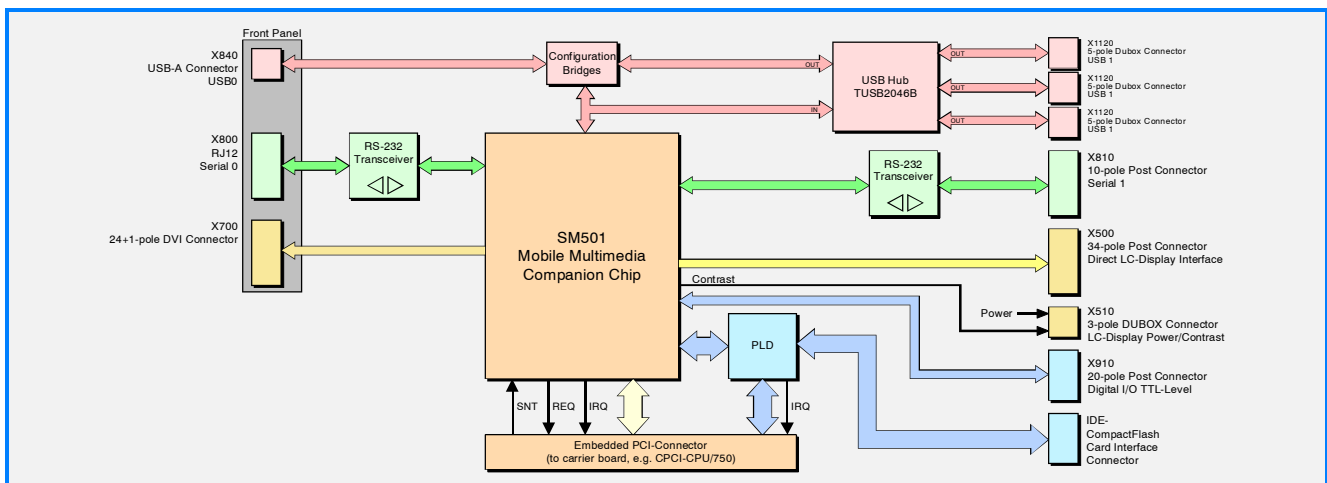


Digital I/O

Via a PLD 16 digital I/O-ports are controlled. The ports have 3.3 V logic level and can be connected via a 20-pole post connector. The ports can be used e.g. to realize the scan and return lines of a matrix keyboard. This completes the adapters' human interface.

Software Support

The adapter module CPCI-CPU/AddOn supports Linux and VxWorks with drivers by esd. The drivers are stored on-board at the carrier CPCI-CPU board.



Technical Specifications:

Graphics:	
CRT / TFT:	DVI connector, resolution from VGA to SXGA with 16/32 bit color
LCD:	320x240 to 1024x768 with 16/32 bit color or 1280x1024 (16 bit color only), additional power supply and contrast connector
USB:	
Ports:	1 + 3
USB controller:	USB 1.1 controller (SM501 internal)
Connection:	port 0 via USB type A connector plug, ports 1...3 via Dubox connectors
Other interfaces:	
CompactFlash:	CF card interface for type I cards
Serial interface:	2x RS-232, bit rate max. 19.200 kbit/s
Digital I/Os:	16 ports, 3.3 V signal level, controlled by PLD

General:	
Ambient temperature:	0...50 °C
Humidity:	max. 90 %, non-condensing
Power supply:	from carrier board via embedded PCI connector, 5 V, 3.3 V
LEDs:	'No Monitor', 'USB0 Power', 'USB Run', 'User0', 'User 1', 'USB1 Power'...'USB3 Power'
Order information:	
Designation	order no.
CPCI-CPU/AddOn Graphics/USB/CF-Card adapter for CPCI-CPU's	I.2403.02