

CPCI-ASIO4

4 Serial Interfaces

- RS-232, RS-422, RS-485 or TTY
- electrical isolation
- support for Linux, VxWorks, WindowsXP and QNX6

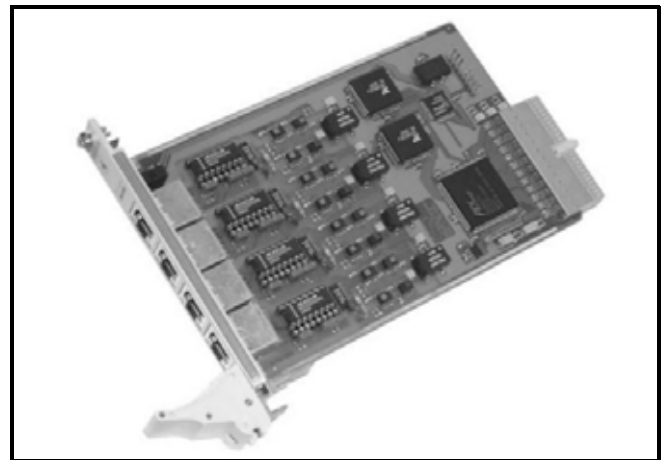
Electrically Isolated Serial Interfaces

The module CPCI-ASIO4 is a CompactPCI board in Euro format. It has got four serial interfaces with electrical isolation against the CPCI bus and against each other. The board is equipped with two DUARTs XR16C2852 that are compatible to the popular ST16C2552 and can therefore be controlled by standard operating system drivers for serial interfaces of Linux and VxWorks.

Versatile Interface Design

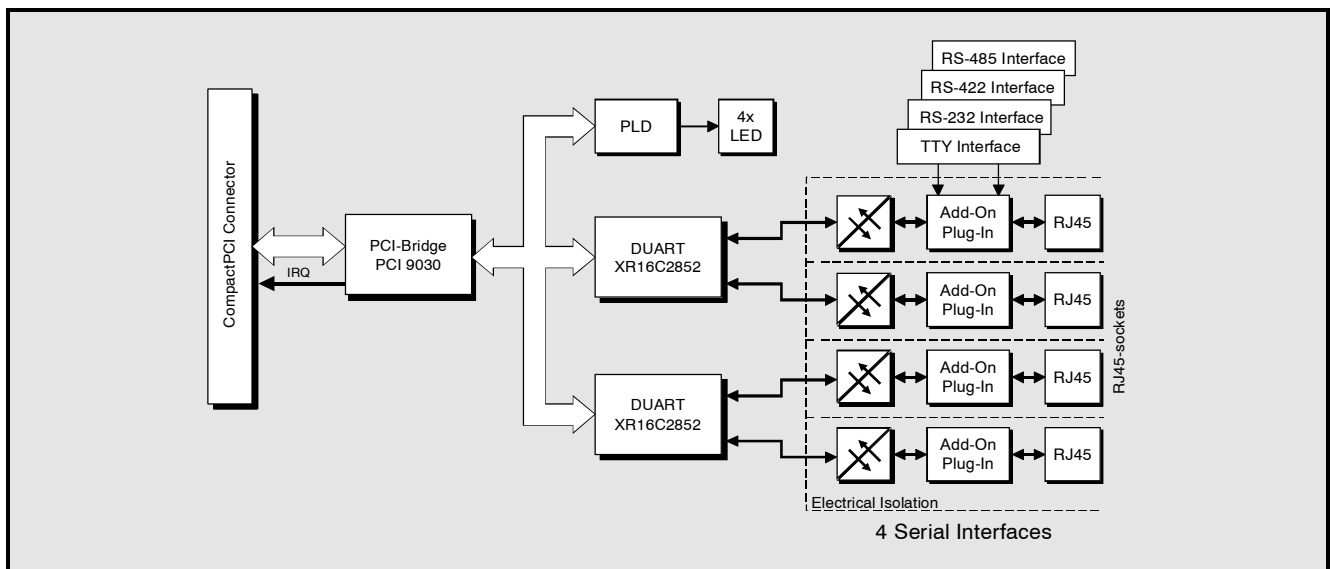
The four interfaces can be equipped with several piggybacks to realize your application-specific requirements for a serial interface. You can choose between RS-232 (with hardware handshake), RS-422, RS-485 or TTY. TTY can be run in passive or active mode. Only if the active mode is used, the four interfaces lose their electrical isolation because of the common power supply for the interfaces. The different interface types can be combined at one CPCI-ASIO4.

The connection of the interfaces is done at the front panel by RJ45 connectors. LEDs display the actual state of each interface.



Software Support

The board runs with the standard system serial drivers of Linux and VxWorks. For WindowsXP and QNX6 are special drivers available. Please ask for your operating system support.



Technical Specifications:

CompactPCI connection:	
Interface:	according to CPCI specification, Rev. 2.0
PCI-Bridge:	PCI9030
Serial interfaces:	
Number of channels:	4
Serial controller:	2x DUART XR16C2852
Interface types:	RS-232 (hardware handshake), RS-422, RS-485, TTY-passive, TTY-active (without electrical isolation)
Electrical isolation:	by optocouplers between serial interfaces and DUARTs and between each other
Bitrates:	up to 115,2 kbit/s

General:	
Ambient temperature:	0...50 °C
Humidity:	max. 90 %, non-condensing
Operating voltage:	nominal 5 V(DC), 3.3 V (DC), ± 12V (if TTY-active is required)
Connectors:	4x RJ45
Status LEDs:	4 LEDs for the state of serial interfaces
Order information:	
Designation	Order No.
CPCI-ASIO4	4 serial interfaces, RS-232 I.2307.02
Instead of RS-232 added with (specify in order):	
RS-422 adaptor	V.1930.02
RS-485 adaptor	V.1930.04
TTY-20mA passive	V.1930.06
TTY-20mA active	V.1930.08
CPCI-ASIO4-ME	English manual I.2307.21