

# CPCI-PN-DEV

## PROFINET® IO / CompactPCI® Interface



### Linking PROFINET IO and CompactPCI

- Fast and reliable PROFINET IO interface for CompactPCI systems with data buffering
- CompactPCI-PLC link, e.g. to SIEMENS S7-300 or S7-400
- Cost effective: 4 channels onboard

### Design with Established Siemens ERTEC400

- PROFINET IO interfaces via RJ45 sockets in the front panel
- CompactPCI Bus according to PIC-MG® 2.0 R2.1

### High-Performance PROFINET IO Connection

- Large process image
- 4 PROFINET IO interfaces onboard for flexible wiring
- PCI bus master capability

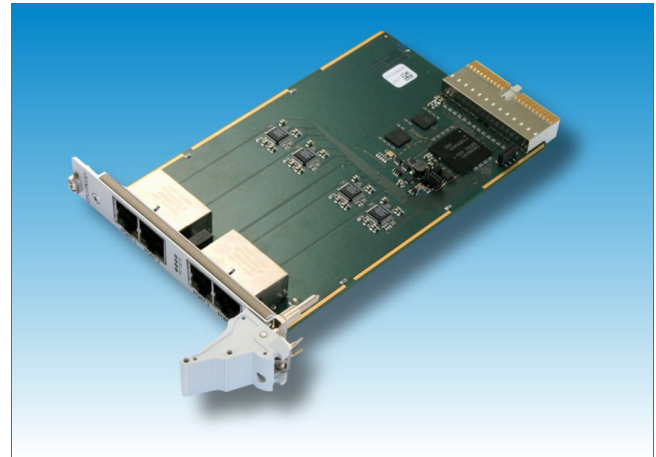
### PROFINET IO/CompactPCI Interface

The CPCI-PN-DEV can link any PROFINET IO controller to a CompactPCI system and operates as a PROFINET IO device with a maximum of 1440 bytes input data and 1440 bytes output data on the PROFINET IO bus.

Four PROFINET IO interfaces, accessible via the front panel, give an excellent base for PROFINET IO applications.

### Applications

The CPCI-PN-DEV integrates a CompactPCI-based application into the PROFINET IO network, e.g. a SIMATIC-S7.



### Physical Interfaces

The CPCI-PN-DEV is a CompactPCI board in 3U format. The 100 BASE-TX PROFINET IO interface is compatible to IEEE802.3 and runs with 100 Mbit/s. The PROFINET IO interface is electrically isolated.

### Configuration

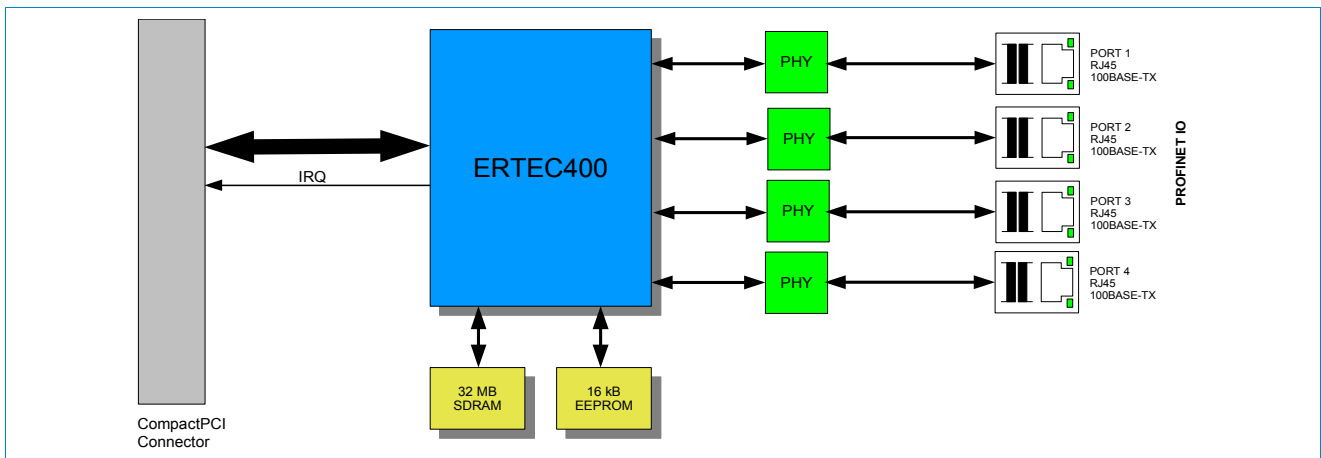
The module can be configured via PROFINET IO configuration tool, e.g. the PLC SIMATIC Manager.

No additional configuration tools are required!

Software support is available for QNX®.

Drivers for other operating systems are available on request.

(This product is under development. It will be available Q1 2014.)



### Technical Specifications:

CompactPCI Interface and Microcontroller:	
Micro Controller	ERTEC 400, 150 MHz
Memory	32 MB SDRAM
CompactPCI Bus	According to PIC-MG® 2.0 R2.1, 32 bit, 33/66 MHz, 3.3 V/5 V signals, PCI bus master capability
PROFINET IO (PN) Interface:	
PN Controller	ERTEC 400
PN Interface	4x 100BASE-TX, IEEE 802.3, 10/100 Mbit/s, RJ45-connector

General:	
Ambient temperature	0 °C ... +50 °C
Relative humidity	Max. 90 % (non-condensing)
Power Supply	3.3V
LEDs	2 LEDs per PROFINET IO channel, integrated in the RJ45 connector
Dimensions	3U x 4HP
Order Information:	
Hardware	order no.
CPCI-PN-DEV	PROFINET IO / CompactPCI interface 1.2329.02
Software Support	
CPCI-PN-DEV QNX	QNX driver 1.2329.36